



**AKAI**

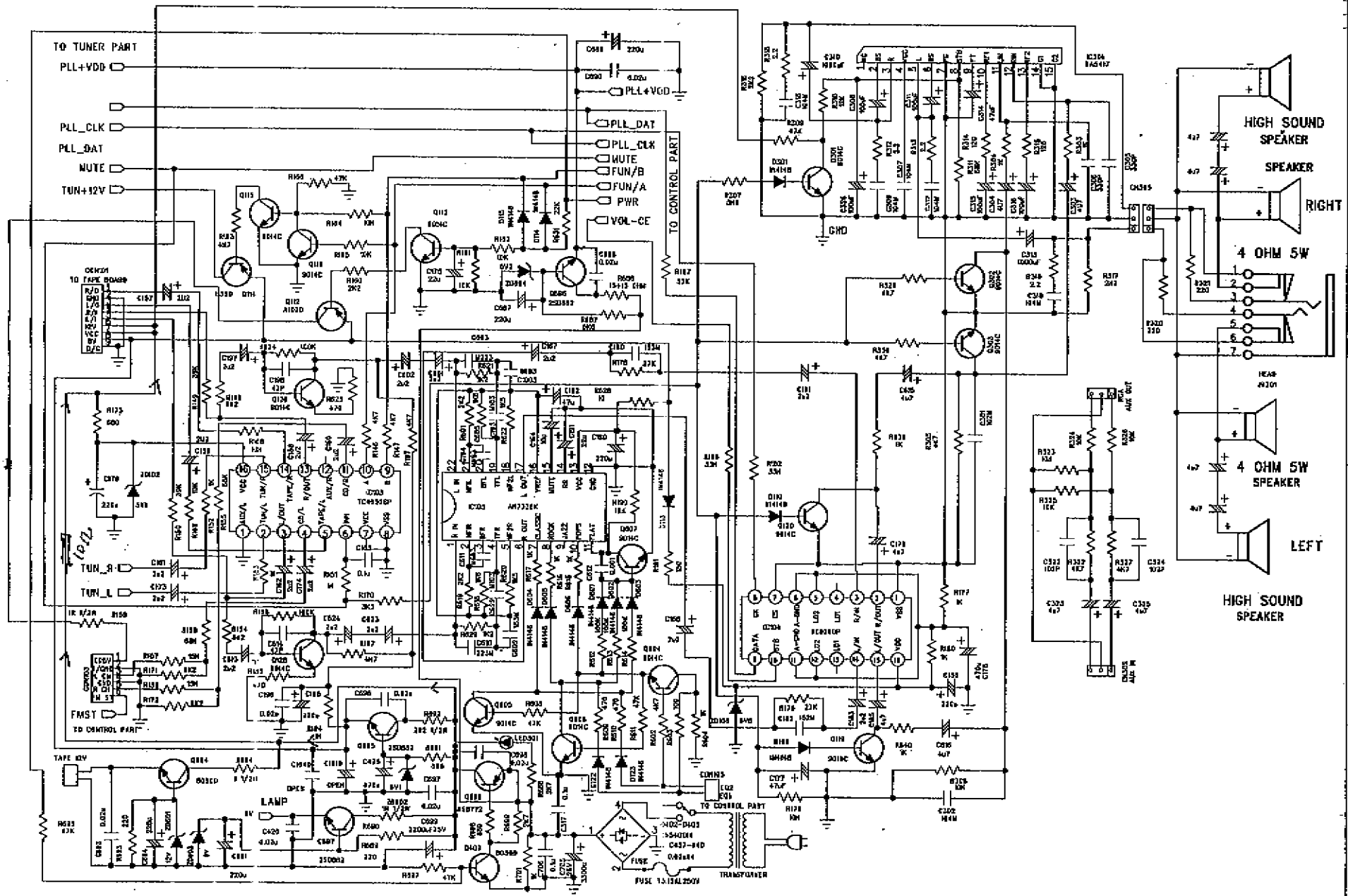
**MINI HI-FI  
MICRO COMPONENT SYSTEM**

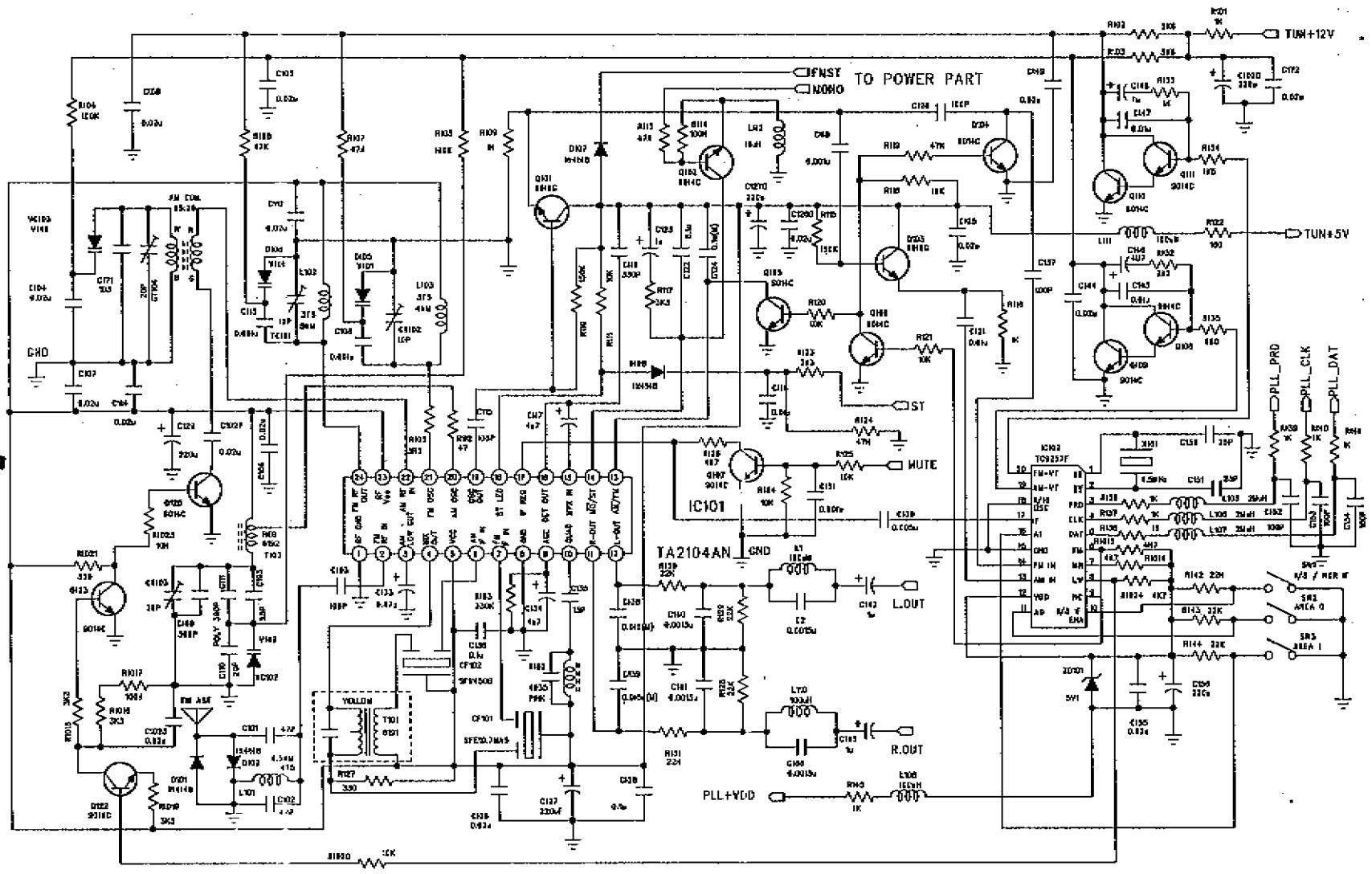
Model:  
QX-D4300

**SERVICE MANUAL**

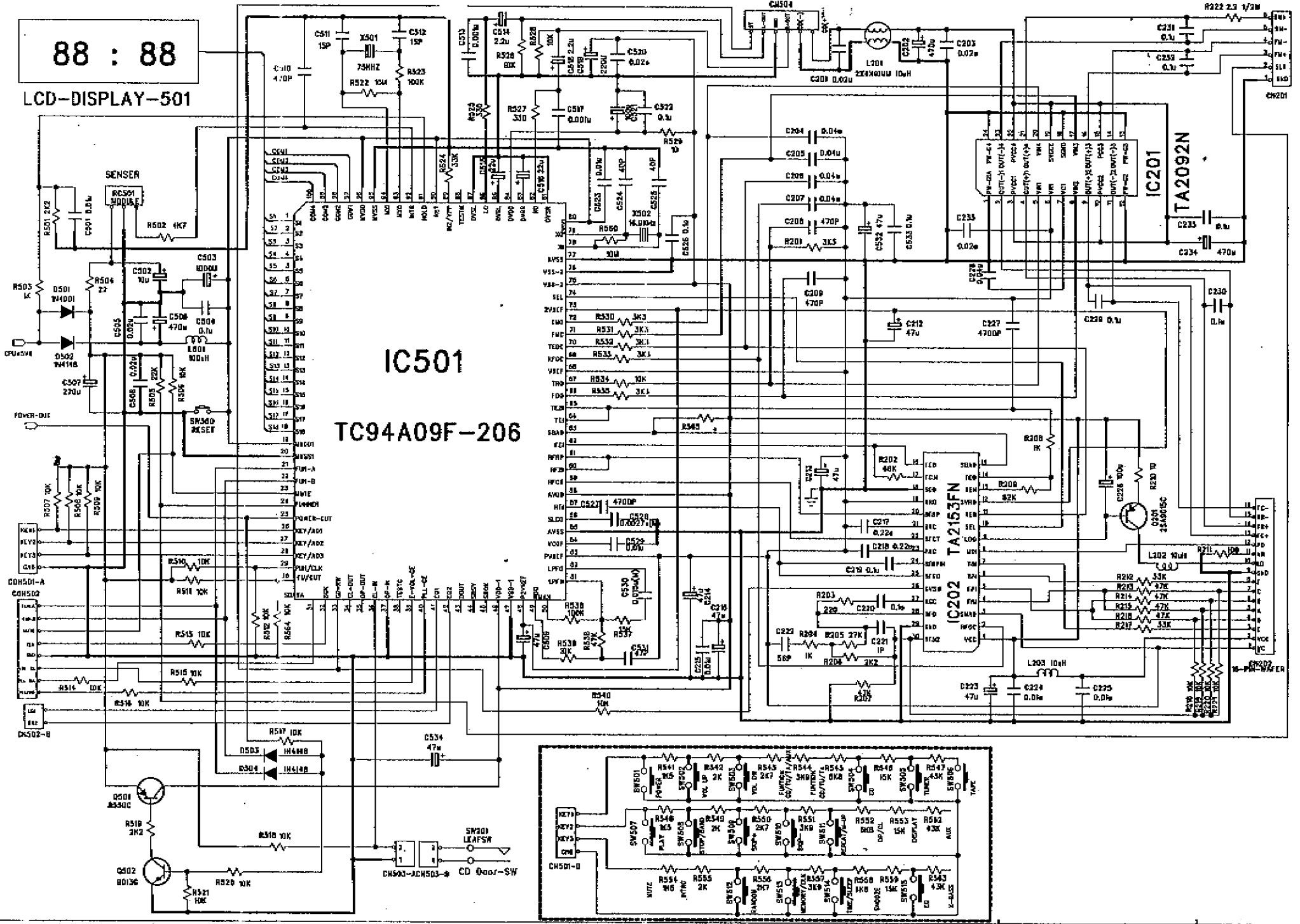
D  
C  
B  
A

D  
C  
B  
A





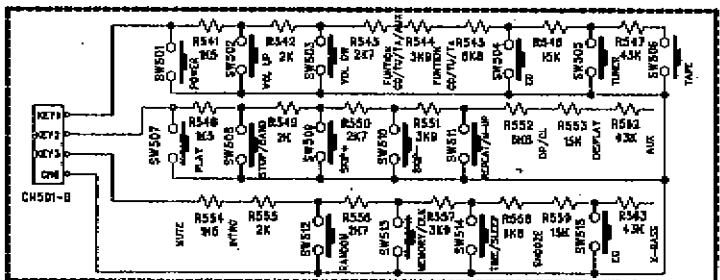
# 88 : 88 LCD-DISPLAY-501



## IC501 TC94A09F-206

## IC201 TA2092N

## IC202 TA2153FN



6

5

4

3

2

1

D

C

B

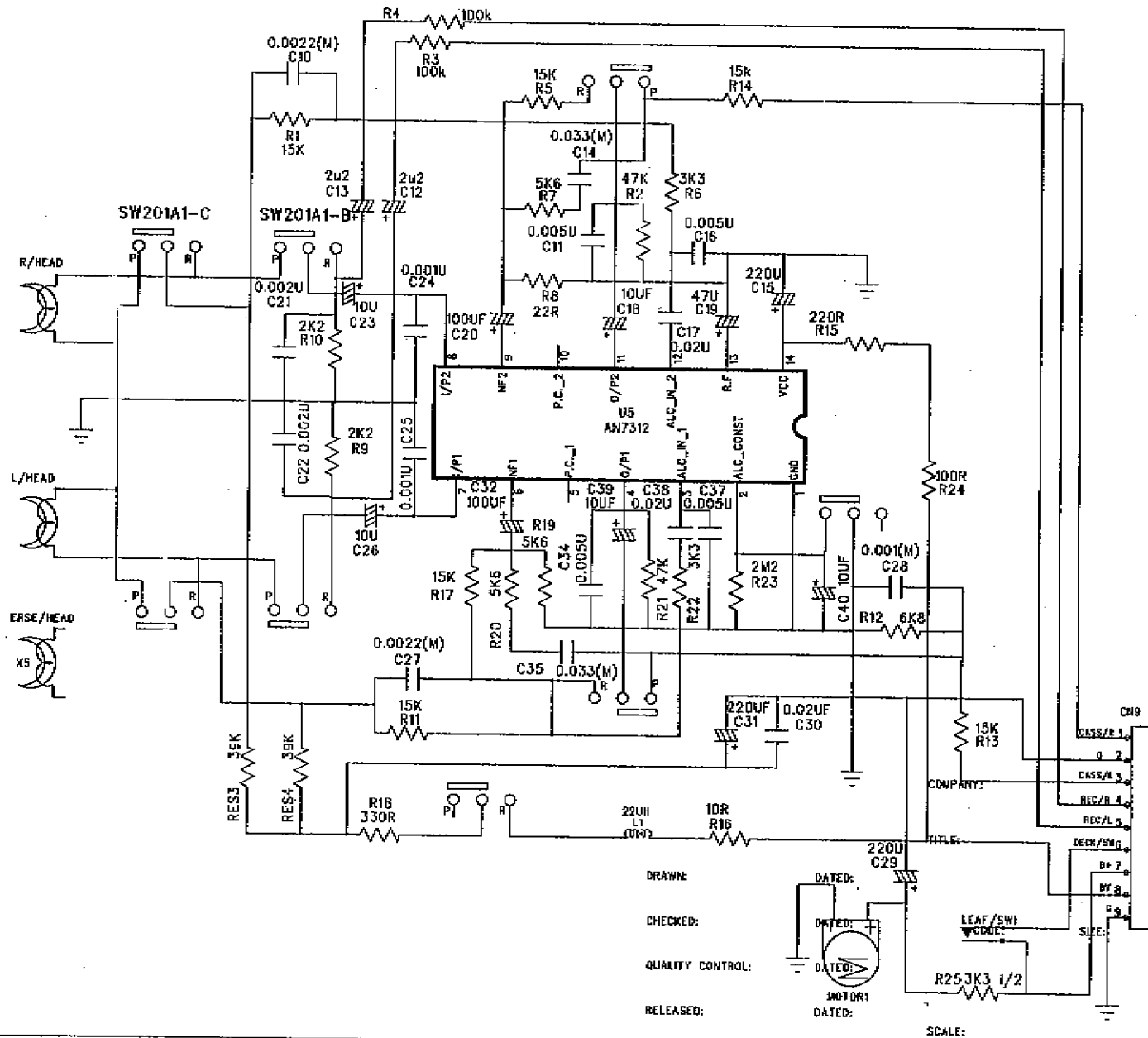
A

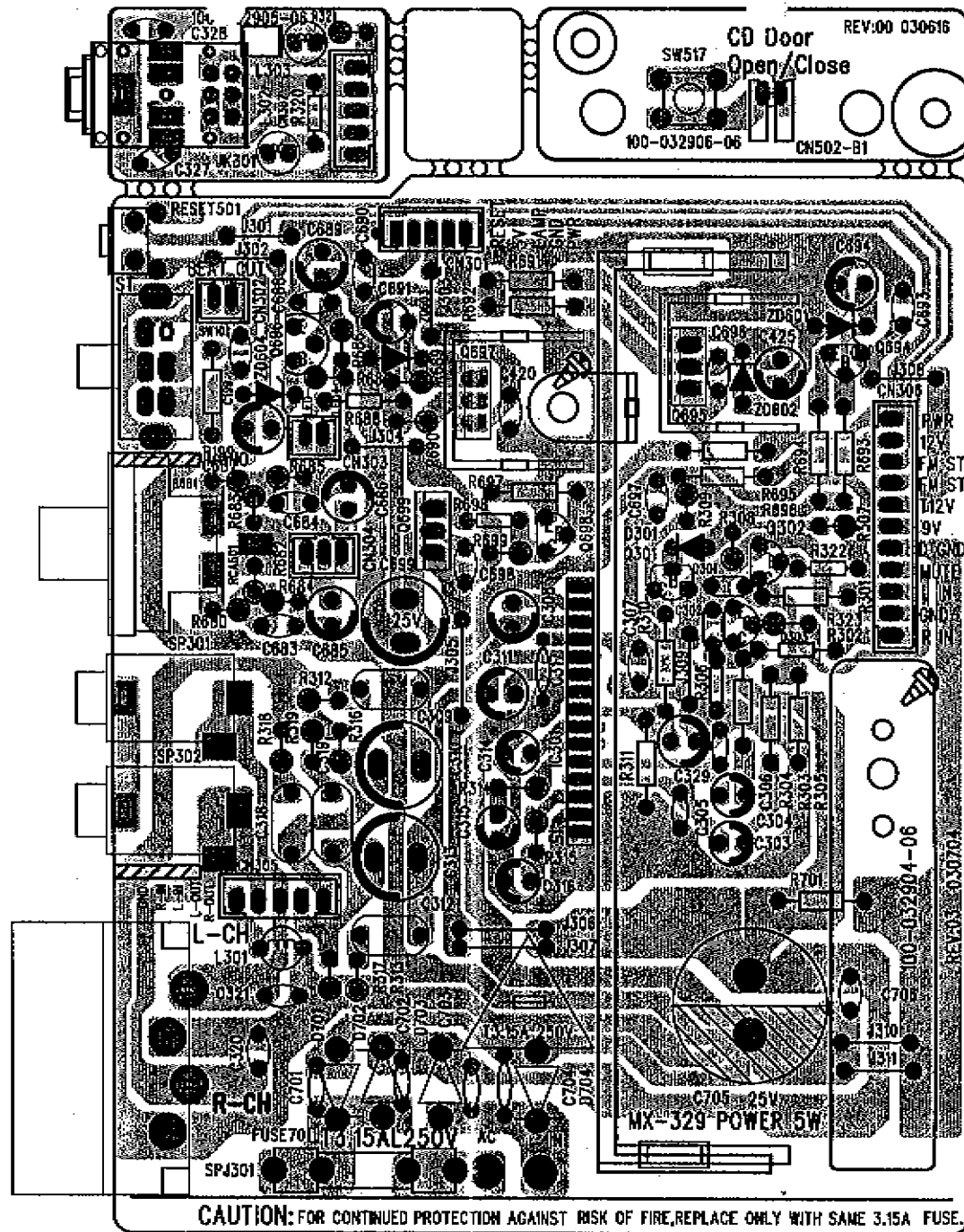
I

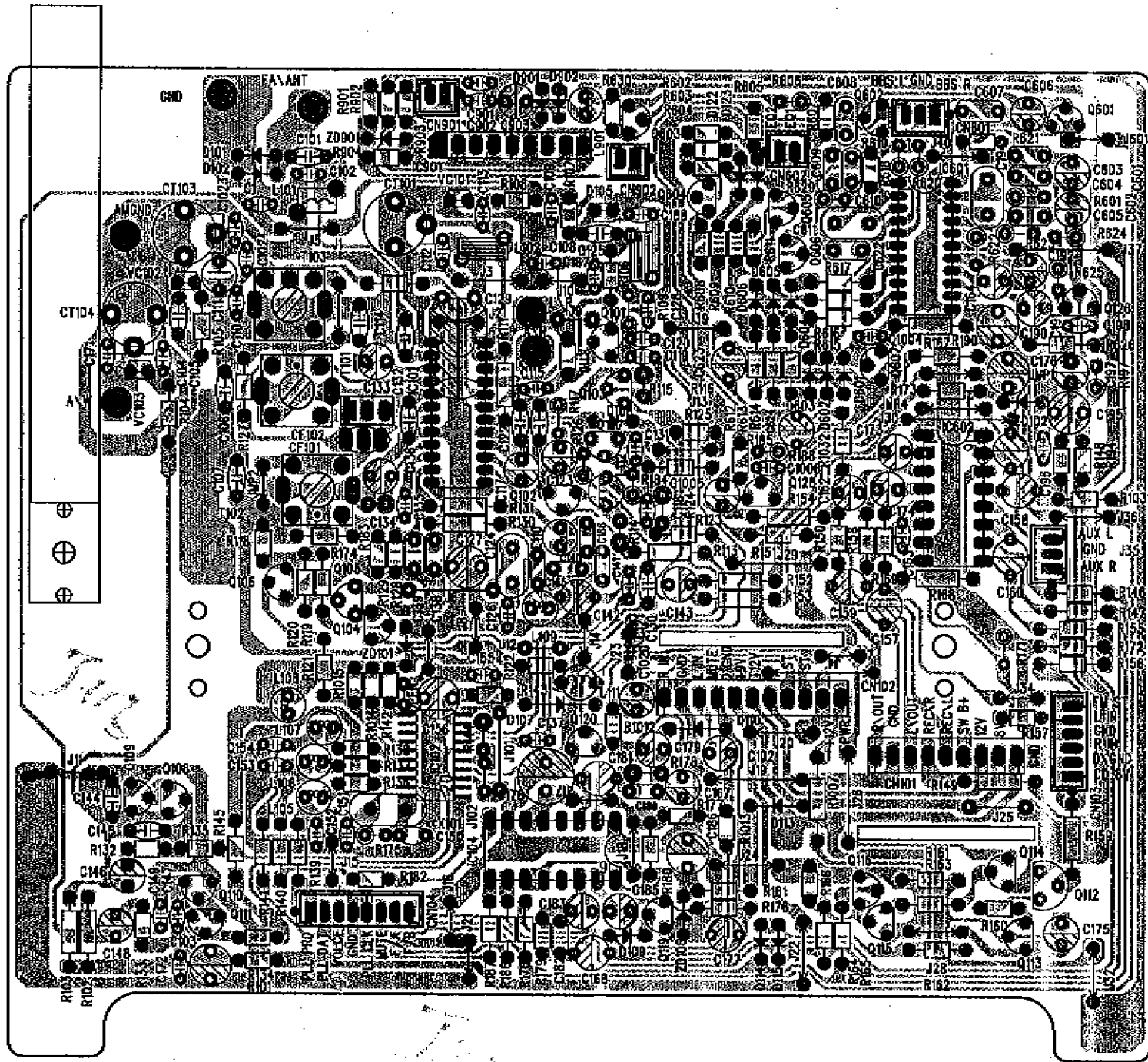
C

B

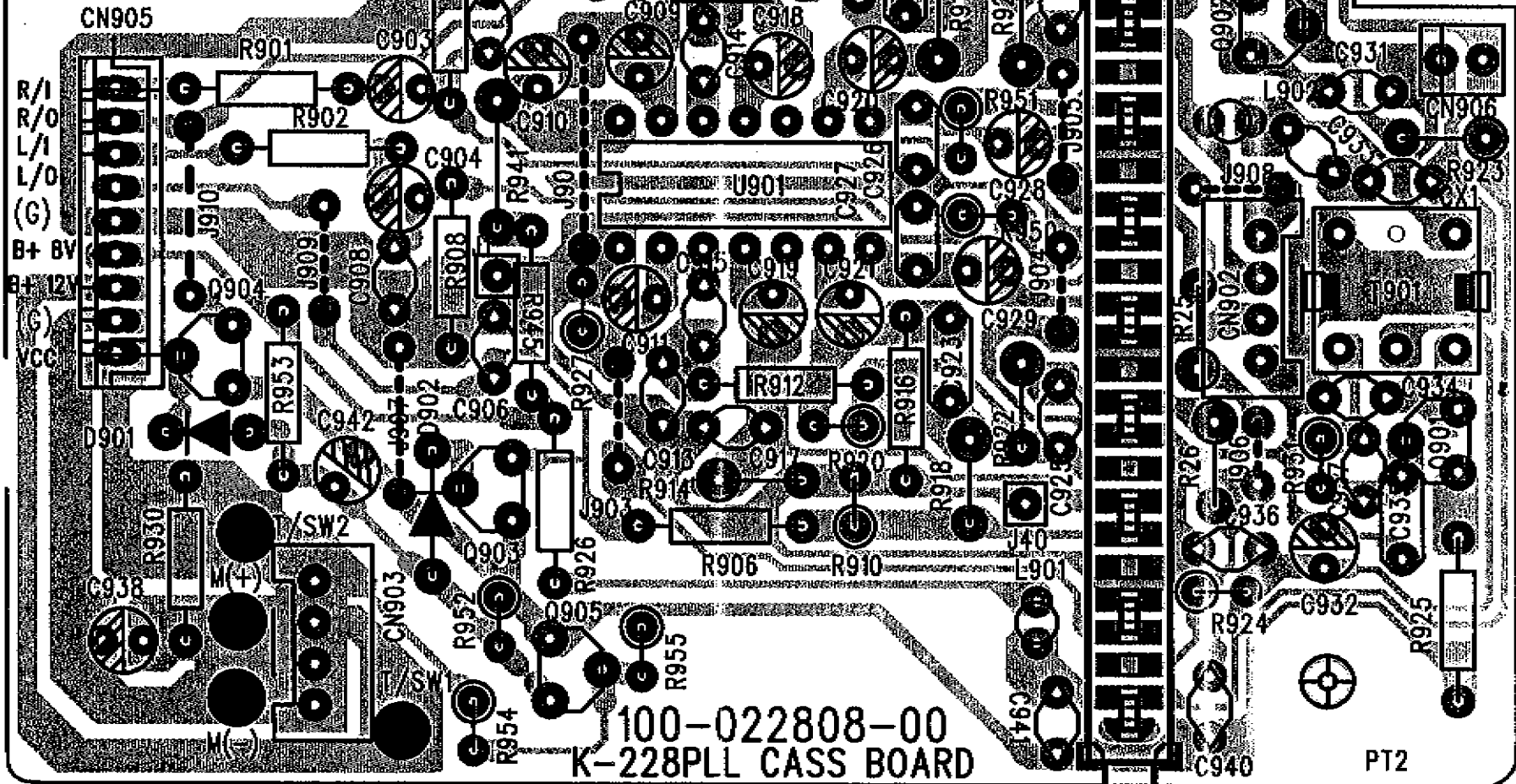
A







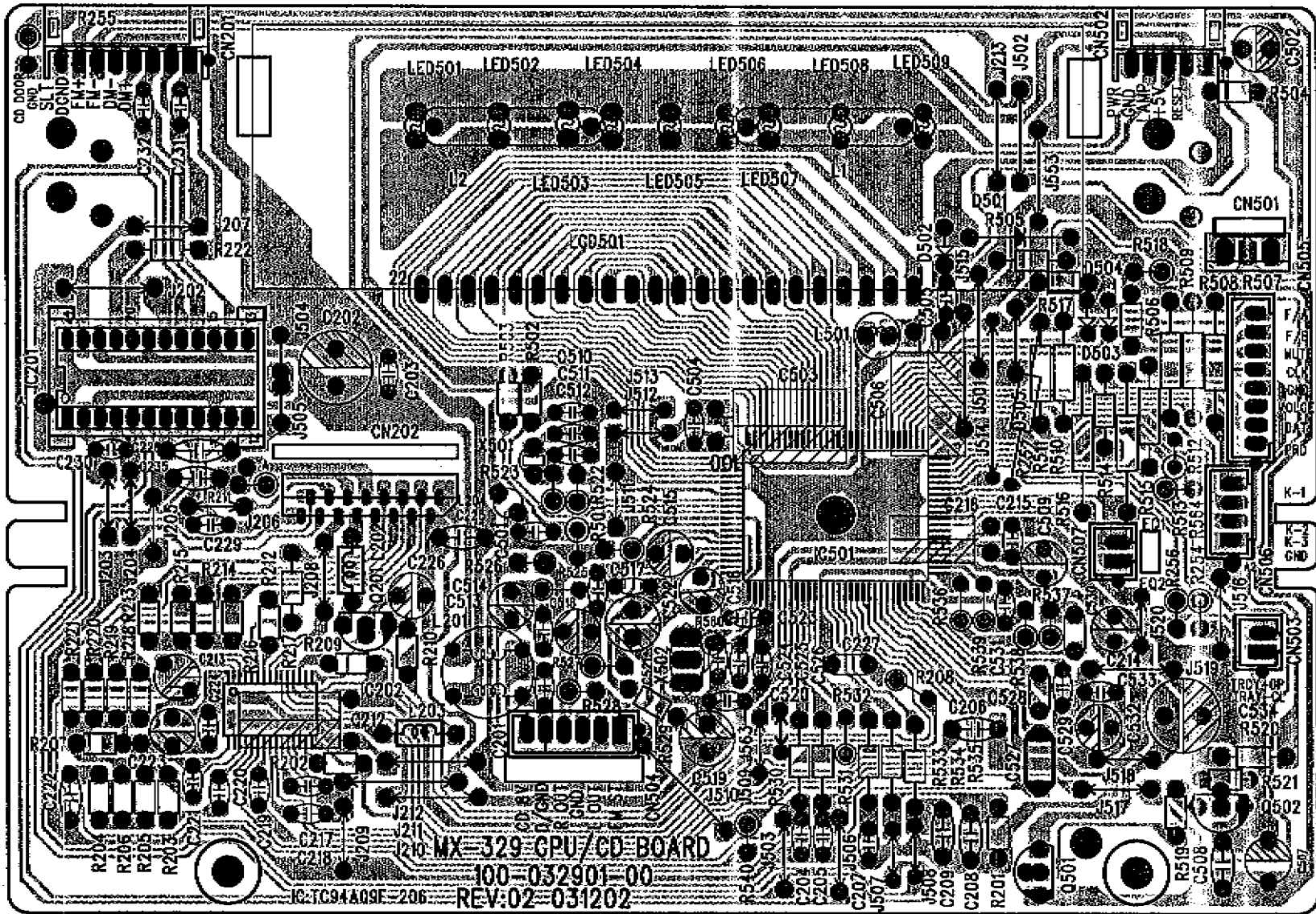
100-022808-00  
K-228PLL CASS BOARD



100-022808-00  
K-228PLL CASS BOARD



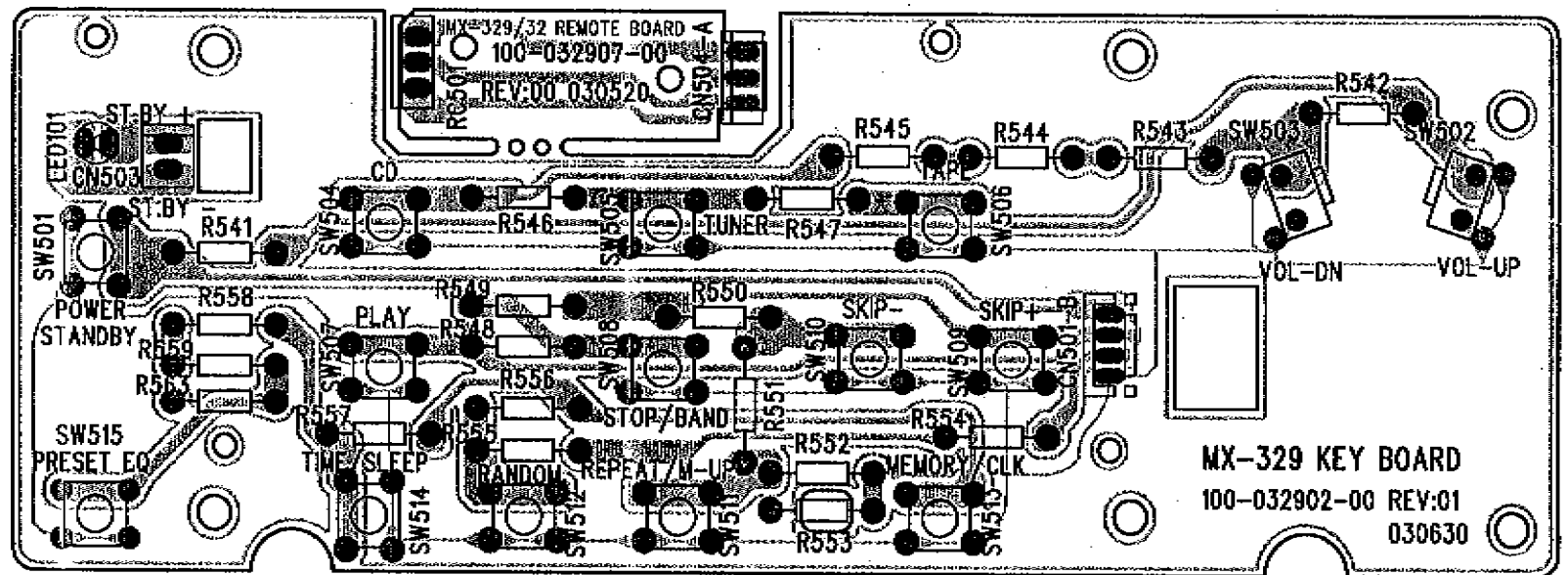




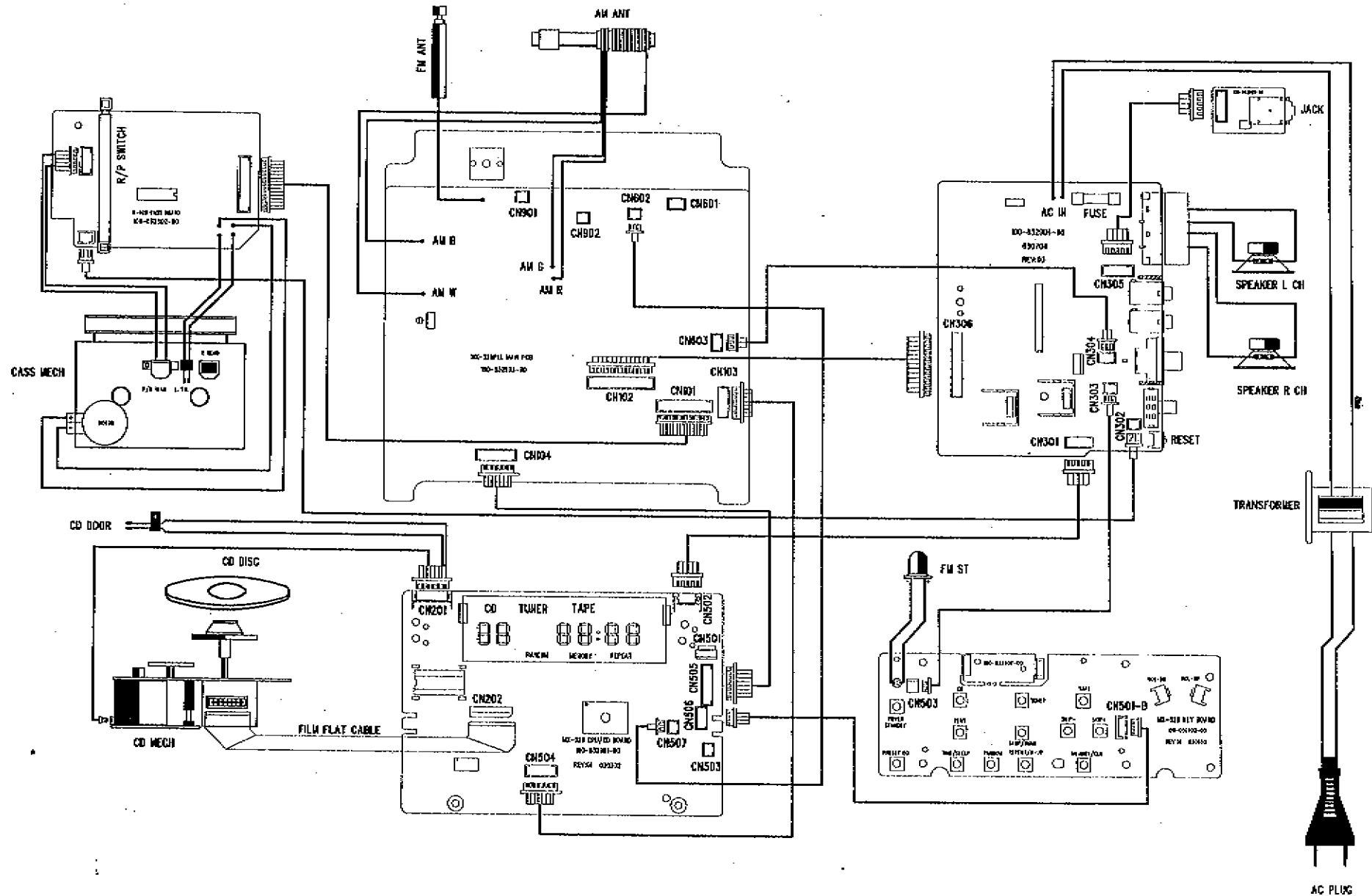
100-032901-00  
REV:02-031202

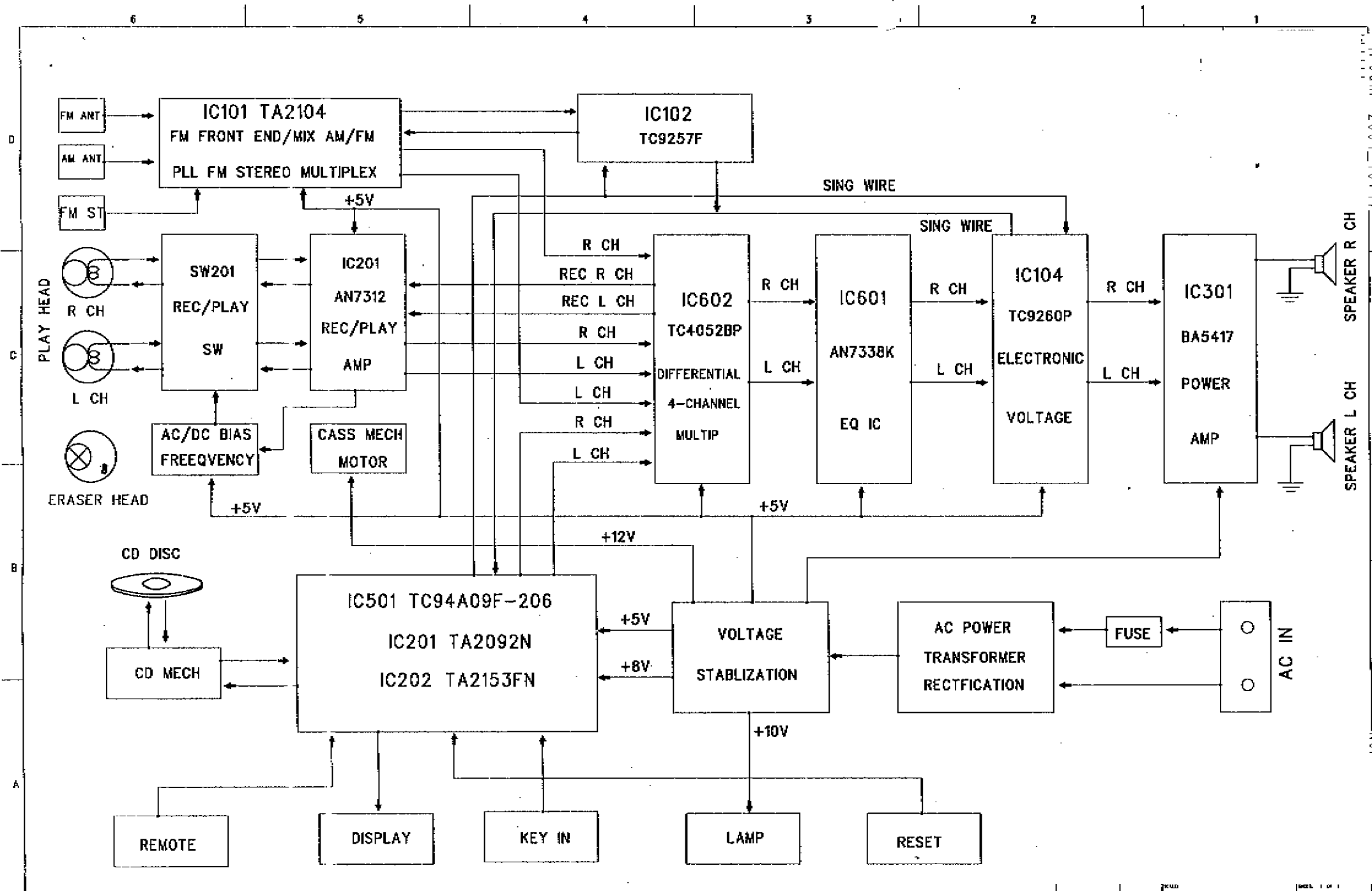
JG:TC94A09F-206

210-MX-329-CPU/CD-BOARD



# WIRING DIAGRAM





## Spare Parts List

1 OF 13

**Model no.: QX-D4300**

Part no.	Description	UM
<b>t No.: MX-329</b>	<b>R5-0007 MX-329/5W AKAI(QX-D4300) AM/FM VDE 230V SILVER/CLEAR LENS</b>	
1	121-481111-7V TRANSFORMER EI-48 230V VDE APP W/115?M20 FUSE (SF48E/131603) (S0012) LOW CURRENT	PCS
2	192-300000-02 CLOSE END CONNECTOR UL/VDE APP HW-C4 (TCM & FAVORTRON)	PCS
3	201-033072-1D POWER CORD VDE APP. 72" W/O SOCKET END CUT (YCV-010 PLUG) (Y0007)	PCS
4	212-0GT161-53 CASS DECK THL-21SC-T1615A 6KEY W/CLUTCH MOTOR:EG530AD-2B R/P HEAD:AP-4211L (0.6mm SPRING)	PCS
5	303-000004-01 CABLE TIE 4" CT-100M (T0042)	PCS
6	500-030807-00 SCREW 3 x 8 W/T	PCS
7	500-030826-00 SCREW 3 x 8 K/T (HEXAGON SOCKET)	PCS
8	500-031001-00 SCREW 3 x 10 P/T	PCS
9	500-031003-00 SCREW 3 x 10 B/T	PCS
10	500-031007-00 SCREW 3 x 10 W/T	PCS
11	500-040803-00 SCREW 4 x 8 B/T	PCS
12	501-020404-00 SCREW 2 x 4 T/T	PCS
13	501-030602-00 SCREW 3 x 6 B/M	PCS
14	501-030808-00 SCREW 3 x 8 PW/M	PCS
15	503-153515-00 FIBER WASHER 3.5 x 15 x 1.5mm	PCS
16	605-011000-03 RUBBER FOOT ?1 x 3mm W/TAPE (3M#9448) (BLACK AP401B A-PRODUCT)	PCS
17	701-032900-C0 MKG. BKT. (M0028)	PCS
18	706-068000-A0 RECORDING PLATE (S0051)	PCS
19	707-021800-A0 FIXING PLATE (S0051)	PCS
20	713-021800-A0 HEADPHONE JACK MTG. BKT (S0051)	PCS
21	717-088700-A0 CASS P.C.B. MTG. BKT "1" (S0051)	PCS
22	717-088804-A0 CASS P.C.B. MTG. BKT "D" (S0051)	PCS
23	719-882800-00 CASS DOOR SPRING ?.8MM	PCS
24	721-032800-00 CD DOOR SPRING ?.2mm	PCS
25	738-882800-00 VOLUME KNOB SPRING ?.5mm	PCS
26	800-032900-03 FRONT CABINET BRIGHT SILVER SPRAY (A78-030) & HOT STAMP W/D.GREY(432C) AKAI (QX-D4300)	PCS
27	801-032900-01 BACK CABINET MOULD GREY (PMS430C)	PCS
28	806-032900-01 CD BASE BRIGHT SILVER SPRAY (A78-030) W/D.GREY (432C)	PCS
29	807-032900-01 CD DOOR BRIGHT SILVER(A78-030) SPRAY W/D.GREY (432C)	PCS
30	809-032900-01 CASS DOOR COVER BRIGHT SILVER (A78-030) & HOT STAMP W/D.GREY (432C)	PCS
31	812-032800-06 CASS KNOB "PLAY" MOULD GREY	PCS

	Part no.	Description	UM OF 13
	<b>t No.: MX-329</b>	<b>R5-0007 MX-329/5W AKAI(QX-D4300) AM/FM VDE 230V SILVER/CLEAR LENS (430C)</b>	
32	813-032800-06	CASS KNOB "PAUSE" MOULD GREY (430C)	PCS
33	814-032800-06	CASS KNOB "F.F." MOULD GREY (430C)	PCS
34	815-032800-06	CASS KNOB "REW" MOULD GREY (430C)	PCS
35	816-032800-06	CASS KNOB "STOP/EJECT" MOULD GREY (430C)	PCS
36	817-032800-06	CASS KNOB "RECORD" MOULD GREY (430C)	PCS
37	821-032900-01	CD DOOR OPEN KNOB BRIGHT SILVER SPRAY (A78-030)	PCS
38	822-032900-01	VOLUME KNOB CHROME	PCS
39	824-032900-01	POWER KNOB CHROME	PCS
40	825-032901-02	FUNCTION KNOB "CD" MOULD CLEAR LENS SILKSCREEN SILVER (877C) ON B/G,W/WHITE LETTER	PCS
41	825-032902-02	FUNCTION KNOB "TUNER" MOULD CLEAR LENS SILKSCREEN SILVER (877C)ON B/G,W/WHITE LETTER	PCS
42	825-032904-02	FUNCTION KNOB "TAPE" MOULD CLEAR LENS SILKSCREEN SILVER (877C)ON B/G,W/WHITE LETTER	PCS
43	832-032900-04	CASS DOOR LENS MOULD CLEAR LENS SILKSCREEN SILVER (877C) ON B/G,W/WHITE LETTER AKAI	PCS
44	835-032900-02	DISPLAY LENS MOULDED CLEAR LENS SILKSCREEN SILVER (877C) ON B/G & W/WHITE LETTER	PCS
45	836-032900-04	CD DOOR LENS MOULD CLEAR LENS W/WHITE ON SURFACE S.S (REV1)	PCS
46	836-032901-00	POWER LENS	PCS
47	838-032800-00	GEAR MOULD BLACK	PCS
48	839-032800-00	GEAR HOLDER MOULD BLACK	PCS
49	843-032800-00	DISPLAY BKT MOULD WHITE	PCS
50	845-021800-00	PCB MTG. BKT (A) MOULD BLACK	PCS
51	845-032900-00	PCB BKT. (RC VER)	PCS
52	845-032901-00	CD DOOR OPEN KNOB BKT.	PCS
53	878-032900-01	CASS KNOB DOOR BRIGHT SILVER (A78-030) W/D.GREY (432C)	PCS
54	901-032800-36	GIFT BOX AKAI DESIGN(QX-D4300) SILVER/CLEAR LENS "4905192504823"	PCS
55	902-032900-02	INSTRUCTION MANUAL AKAI DESIGN (QX-D4300) (ENG/CZ/SK)	PCS
56	912-032820-00	BACKLIGHT PLATE (90 X 27.5 X 0.6mm) BLUE COLOR	PCS
57	912-032830-00	BACKLIGHT FILM (90 X 27.5 X 0.1mm)	PCS
58	912-032900-01	RC PLATE (SMOKY COLOR 0.5 PVC)	PCS
59	912-032901-02	RATING PLATE AKAI DESIGN (QX-D4300) (CZECH VER)	PCS
60	919-000001-01	SERIAL No. LABEL STD.	PCS
61	919-020099-01	RESET LABEL	PCS

<b>t No.: MX-329</b>		<b>R5-0007 MX-329/5W AKAI(QX-D4300) AM/FM VDE 230V SILVER/CLEAR LENS</b>	
62	919-032916-01	IMPEDANCE LABEL AKAI DESIGN (QX-D4300) 4 OHM	PCS
63	919-088802-01	LASER BEAM LABEL YELLOW STD	PCS
64	919-088803-06	LASER CAUTION LABEL YELLOW B/G W/BLK STD (NEW)(2000 YEAR VER)	PCS
65	919-088804-02	CLASS 1 LABEL YELLOW STD	PCS
66	919-380099-04	P.R.C. LABEL	PCS
67	919-530213-01	THERMAL FUSE LABEL 115	PCS
68	930-032901-00	POLYFOAM END CAP "TOP 1"	PCS
69	930-032902-00	POLYFOAM END CAP "TOP 2"	PCS
70	930-032903-00	POLYFOAM END CAP "TOP 3"	PCS
71	930-032904-00	POLYFOAM END CAP "TOP 4"	PCS
72	930-032905-00	POLYFOAM END CAP "BOTTOM 1"	PCS
73	930-032906-00	POLYFOAM END CAP "BOTTOM 2"	PCS
74	930-032907-00	POLYFOAM END CAP "BOTTOM 3"	PCS
75	930-032908-00	POLYFOAM END CAP "BOTTOM 4"	PCS
76	960-120504-01	POLYBAG 12"(L) x 5"(O) x 0.04mm W/PRINTING PUNCH HOLE	PCS
77	960-181604-01	POLYBAG 18"(L) x 16"(O) x 0.04mm W/PRINTING & PUNCH HOLE	PCS
78	960-221904-01	POLYBAG 22"(L) x 19"(W) x 0.04mm W/PRINTING & PUNCH HOLE	PCS
79	<b>K-003H-0003</b>	<b>RH-03H (16 KEYS ) REMOTE PART ASS'Y BRIGHT SILVER SPRAY (MX-329) AKAI DESIGN</b>	<b>PCS</b>
0,1	100-023309-00	P.C.B. REMOTE BOARD MX-V233PLL (IC 202)	PCS
0,2	101-0S9243-97	I.C. SC9243 (SILAN) REMOTE IC	PCS
0,3	102-038050-04	TRANSISTOR 2SC8050D (S0059)	PCS
0,4	104-134148-3G	DIDOE 1N4148 (D0005)	PCS
0,5	104-600350-4I	INFRARED LED IED350B (M0008)	PCS
0,6	112-100455-00	RESONATOR 455kHz 2 PIN CRB455E ANGLE TYPE (M0004)	PCS
0,7	130-110931-00	RESISTOR 1 OHM 1/4W ?%	PCS
0,8	130-168231-00	RESISTOR 6.8 K OHM 1/4W ?%	PCS
0,9	140-010122-00	CERAMIC CAP 100pF 50V ?0%	PCS
0,1	141-047304-30	E. CAP 47uF 16V +80-20%	PCS
0,11	611-000306-00	KEYPAD MOULDED PAD (27 KEYS) MOULD GREY (PMS 424C)	PCS
0,12	720-000300-00	BATTERY SPRING (-)	PCS
0,13	720-000301-00	BATTERY SPRING (+)	PCS
0,14	720-001200-00	BATTERY SPRING (+/-)	PCS
0,15	858-000300-76	FRONT CABINET (RH-03) BRIGHT SILVER (A78-030) W/D.GREY (432C) S.S. AKAI (QX-D4300)	PCS
0,16	859-000300-04	REAR CABINET (RH-03) BRIGHT SILVER (A78-030) SPRAY	PCS
0,17	860-000300-04	BATTERY DOOR (RH-03) BRIGHT SILVER (A78-030) SPRAY	PCS
0,18	912-000306-05	REMOTE HANDSET PLATE (23 KEYS) BLACK W/SILVER (877C) & M.GREY (8403C)S.S. AKAI QX-D4300)	PCS

Part no.	Description	UM OF 13
<b>t No.: MX-329</b>	<b>R5-0007 MX-329/5W AKAI(QX-D4300) AM/FM VDE 230V SILVER/CLEAR LENS</b>	
0,19 960-080404-02	POLYBAG 8"(L) x 4"(O) x 0.04mm W/PRINTING (SKD)	PCS
<b>80 K-CD39-0001</b>	<b>CD PART ASS'Y MX-32/MX-329 (SONY CD)</b>	<b>PCS</b>
0,1 175-012100-4B	LEAF SWITCH 1P2T TC48-021-03 (51-60G FORCE) (A0003)	PCS
0,2 211-000213-08	CD MECHANISM (KSM-213CDM) (SONY)	PCS
0,3 500-021001-00	SCREW 2 x 10 P/T	PCS
0,4 500-260803-00	SCREW 2.6 x 8 B/T	PCS
0,5 501-020401-00	SCREW 2 x 4 P/M	PCS
0,6 502-033115-06	METAL WASHER 3.3 x 11.5 x 0.6	PCS
0,7 608-088601-03	CD RUBBER CUSHION (SONY 213) (GREEN) SW-02-B658 (S0044) (HARD) -40?	PCS
0,8 608-088602-03	CD RUBBER CUSHION (SONY 213) (RED) SW-02-A658 (S0044) (HARD) -30?	PCS
0,9 614-088600-01	MAGNET RING (S0044)	PCS
0,1 713-031800-A0	MAGNET RING HOLDER (THK=0.6mm) LONG TRENE PLATE (S0051)	PCS
0,11 847-032800-01	CHUCKING PLATE HOLDER MOULD GREY 921633	PCS
0,12 849-088801-00	CHUCKING PLATE (KENLEX)	PCS
0,13 866-088600-00	CD LENS COVER (SONY 213)	PCS
<b>81 PCB-032806-00</b>	<b>CASSETTE PCB K-328 ASS'Y F/AC &amp; W/BEAT CUT (IC 202)</b>	<b>PCS</b>
0,1 100-062802-00	P.C.B. CASSETTE PCB K-628 (REV.1)	PCS
0,2 101-0E7312-53	I.C. AN7312 (D0005)	PCS
0,3 102-038050-04	TRANSISTOR 2SC8050D (S0059)	PCS
0,4 102-039014-03	TRANSISTOR 2SC9014C (S0059)	PCS
0,5 102-039015-03	TRANSISTOR 2SC9015C (S0059)	PCS
0,6 116-934932-03	I.F.T. REC BIAS 10mm (BLACK) No.:4932	PCS
0,7 117-422204-2B	CHOKE COIL 22uH +/-10% (DR2W 4 x 5.5-220K) (T0055)	PCS
0,8 130-110031-00	RESISTOR 10 OHM 1/4W ?%	PCS
0,9 130-110331-00	RESISTOR 10 K OHM 1/4W ?%	PCS
0,1 130-110431-00	RESISTOR 100 K OHM 1/4W ?%	PCS
0,11 130-115331-00	RESISTOR 15 K OHM 1/4W ?%	PCS
0,12 130-122031-00	RESISTOR 22 OHM 1/4W ?%	PCS
0,13 130-122131-00	RESISTOR 220 OHM 1/4W ?%	PCS
0,14 130-122531-00	RESISTOR 2.2 M OHM 1/4W ?%	PCS
0,15 130-127231-00	RESISTOR 2.7 K OHM 1/4W ?%	PCS
0,16 130-133131-00	RESISTOR 330 OHM 1/4W ?%	PCS
0,17 130-133231-00	RESISTOR 3.3 K OHM 1/4W ?%	PCS
0,18 130-133931-00	RESISTOR 3.3 OHM 1/4W ?%	PCS
0,19 130-133932-00	RESISTOR 3.3 OHM 1/2W ?%	PCS



<b>t No.: MX-329</b>		<b>R5-0007 MX-329/5W AKAI(QX-D4300) AM/FM VDE 230V SILVER/CLEAR LENS</b>	
0,2	130-147331-00	RESISTOR 47 K OHM 1/4W ?%	PCS
0,21	130-156231-00	RESISTOR 5.6 K OHM 1/4W ?%	PCS
0,22	130-168231-00	RESISTOR 6.8 K OHM 1/4W ?%	PCS
0,23	130-182331-00	RESISTOR 82 K OHM 1/4W ?%	PCS
0,24	140-010122-00	CERAMIC CAP 100pF 50V ?0%	PCS
0,25	140-020220-00	CERAMIC CAP 0.002uF 50V	PCS
0,26	140-020320-00	CERAMIC CAP 0.02uF 50V +80-20%	PCS
0,27	140-050220-00	CERAMIC CAP 0.005uF 50V	PCS
0,28	141-010303-30	E. CAP 10uF 10V +80-20%	PCS
0,29	141-010403-30	E. CAP 100uF 10V +80-20%	PCS
0,3	141-022203-30	E. CAP 2.2uF 10V +80-20%	PCS
0,31	141-022403-30	E. CAP 220uF 10V +80-20%	PCS
0,32	141-022404-30	E. CAP 220uF 16V +80-20%	PCS
0,33	141-047303-30	E. CAP 47uF 10V +80-20%	PCS
0,34	142-110210-20	MYLAR CAP 0.001uF 100V ?0%	PCS
0,35	142-115210-20	MYLAR CAP 0.0015uF 100V ?0%	PCS
0,36	142-122310-20	MYLAR CAP 0.022uF 100V ?0%	PCS
0,37	142-127210-20	MYLAR CAP 0.0027uF 100V ?0%	PCS
0,38	142-133310-20	MYLAR CAP 0.033uF 100V ?0%	PCS
0,39	142-147210-20	MYLAR CAP 0.0047uF 100V ?0%	PCS
0,4	175-392000-00	PUSH SWITCH 9P2T PS92D04 (NON-SHORTING)	PCS
0,41	193-202025-07	WAFER 2 PIN P=2.5mm (U0003)	PCS
0,42	193-204025-07	WAFER 4 PIN P=2.5mm (U.F.A)	PCS
0,43	193-209025-07	WAFER 9 PIN P=2.5mm (U0003)	PCS
0,44	194-040107-26	PIN ASS'Y 4 PIN HOUSING TO DOUBLE SHIELD WIRE UL #28 160mm P=2.5mm (U0003)	PCS
0,45	198-000002-0X	BARE WIRE	LBS
0,46	198-326010-40	JUMPER WIRE #26 100mm BLACK UL1007	PCS
0,47	198-326010-42	JUMPER WIRE #26 100mm RED UL1007	PCS
0,48	198-326014-41	JUMPER WIRE #26 140mm BROWN UL1007	PCS
0,49	512-020040-00	EYELET 2 x 4mm	PCS
82	<b>PCB-032900-00</b>	<b>CD PCB MX-329 ASS'Y FOR IC 206 (SONY CD)</b>	<b>PCS</b>
0,1	100-032901-00	P.C.B. CD BOARD MX-329	PCS
0,2	100-032907-00	P.C.B. REMOTE 94HB	PCS
0,3	101-002092-04	I.C. TA2092N	PCS
0,4	101-0T2153-04	I.C. TA2153FN (S0005)	PCS
0,5	101-0T9406-04	I.C. TC94A09F-206 (CPU-IC) (S0005)	PCS
0,6	102-038550-03	TRANSISTOR 2SC8550C	PCS
0,7	102-039014-03	TRANSISTOR 2SC9014C (S0059)	PCS
0,8	102-039015-03	TRANSISTOR 2SC9015C (S0059)	PCS
0,9	104-134148-3G	DIDOE 1N4148 (D0005)	PCS
0,1	104-314001-3G	DIODE 1N4001 (D0005)	PCS
0,11	105-017138-05	DETECT SENSOR RPM7138 (TELELINK)	PCS
0,12	106-040970-05	LAMP ? x 10mm 9V 70mA	PCS

t No.: MX-329		R5-0007 MX-329/5W AKAI(QX-D4300) AM/FM VDE 230V SILVER/CLEAR LENS (H0030)	
0,13	112-301693-00	RESONATOR 16.93MHZ 2 PINS	PCS
0,14	113-750005-02	CRYSTAL 75KHZ DT-38 (A0016)	PCS
0,15	117-410204-10	CHOKO COIL 10uH ?mm ?0%	PCS
0,16	117-410305-11	CHOKO COIL 100uH ?mm ?0%	PCS
0,17	117-410305-1B	CHOKO COIL 100uH ?mm ?0% (DR2W 4 x 5.5-101K) (T0055)	PCS
0,18	117-600703-00	FERRITE CORE COIL 2 x 4 x 10mm	PCS
0,19	130-110031-00	RESISTOR 10 OHM 1/4W ?%	PCS
0,2	130-110131-00	RESISTOR 100 OHM 1/4W ?%	PCS
0,21	130-110231-00	RESISTOR 1 K OHM 1/4W ?%	PCS
0,22	130-110331-00	RESISTOR 10 K OHM 1/4W ?%	PCS
0,23	130-110431-00	RESISTOR 100 K OHM 1/4W ?%	PCS
0,24	130-110631-00	RESISTOR 10 M OHM 1/4W ?%	PCS
0,25	130-112331-00	RESISTOR 12 K OHM 1/4W ?%	PCS
0,26	130-115331-00	RESISTOR 15 K OHM 1/4W ?%	PCS
0,27	130-122031-00	RESISTOR 22 OHM 1/4W ?%	PCS
0,28	130-122131-00	RESISTOR 220 OHM 1/4W ?%	PCS
0,29	130-122231-00	RESISTOR 2.2 K OHM 1/4W ?%	PCS
0,3	130-122331-00	RESISTOR 22 K OHM 1/4W ?%	PCS
0,31	130-122431-00	RESISTOR 220 K OHM 1/4W ?%	PCS
0,32	130-122932-00	RESISTOR 2.2 OHM 1/2W ?%	PCS
0,33	130-133131-00	RESISTOR 330 OHM 1/4W ?%	PCS
0,34	130-133231-00	RESISTOR 3.3 K OHM 1/4W ?%	PCS
0,35	130-133331-00	RESISTOR 33 K OHM 1/4W ?%	PCS
0,36	130-139231-00	RESISTOR 3.9 K OHM 1/4W ?%	PCS
0,37	130-147231-00	RESISTOR 4.7 K OHM 1/4W ?%	PCS
0,38	130-147331-00	RESISTOR 47 K OHM 1/4W ?%	PCS
0,39	130-168331-00	RESISTOR 68 K OHM 1/4W ?%	PCS
0,4	130-182331-00	RESISTOR 82 K OHM 1/4W ?%	PCS
0,41	140-010310-00	CERAMIC CAP 0.01uF 25V +80-20%	PCS
0,42	140-010410-00	CERAMIC CAP 0.1uF 25V +80-20%	PCS
0,43	140-010922-00	CERAMIC CAP 1p 50V ?0%	PCS
0,44	140-015022-20	CERAMIC CAP 15p 50V ?0% NPO	PCS
0,45	140-020320-00	CERAMIC CAP 0.02uF 50V +80-20%	PCS
0,46	140-020322-00	CERAMIC CAP 0.02uF 50V ?0%	PCS
0,47	140-022420-00	CERAMIC CAP 0.22uF 50V +80-20%	PCS
0,48	140-040022-00	CERAMIC CAP 40pF 50V ?0%	PCS
0,49	140-040320-00	CERAMIC CAP 0.04uF 50V +80-20%	PCS
0,5	140-047022-00	CERMAIC CAP 47p 50V ?0%	PCS
0,51	140-047122-00	CERAMIC CAP 470pF 50V ?0%	PCS
0,52	140-056022-00	CERAMIC CAP 56p 50V ?0%	PCS
0,53	141-010303-30	E. CAP 10uF 10V +80-20%	PCS
0,54	141-010403-30	E. CAP 100uF 10V +80-20%	PCS
0,55	141-010503-30	E. CAP 1000uF 10V +80-20%	PCS
0,56	141-022207-30	E. CAP 2.2uF 50V +80-20%	PCS
0,57	141-022303-30	E. CAP 22uF 10V +80-20%	PCS
0,58	141-022403-30	E. CAP 220uF 10V +80-20%	PCS
0,59	141-047303-30	E. CAP 47uF 10V +80-20%	PCS
0,6	141-047404-30	E. CAP 470uF 16V +80-20%	PCS
0,61	142-110210-20	MYLAR CAP 0.001uF 100V ?0%	PCS
0,62	142-115310-20	MYLAR CAP 0.015uF 100V ?0%	PCS
0,63	142-127210-20	MYLAR CAP 0.0027uF 100V ?0%	PCS
0,64	142-147210-20	MYLAR CAP 0.0047uF 100V ?0%	PCS
0,65	161-5B9046-36	LCD DISPLAY G9046TT-P (A7) HTN	PCS

Part no.	Description	UMOF 13
<b>t No.: MX-329</b>	<b>R5-0007 MX-329/5W AKAI(QX-D4300) AM/FM VDE 230V SILVER/CLEAR LENS W/22 PIN L=36mm TRANSMISSIVE (Y0013)</b>	
0,66	193-204020-07 WAFER 4 PIN P=2mm (U0003)	PCS
0,67	193-208020-17 WAFER 8 PIN P=2mm (U.F.A) (ANGLE TYPE)	PCS
0,68	193-216010-0G 16 PIN WAFER P=1MM X 2 ROW DOUBLE ENTRY & STREIGHT TYPE (02-3100-1160) (M0008)	PCS
0,69	194-020004-16 PIN ASS'Y 2 PIN HOUSING TO UL1007 #26 180mm P=2mm (U0003)	PCS
0,7	194-050467-19 PIN ASS'Y 5 PIN HOUSING TO FLAT CABLE #26 250mm P=2mm (T0061)	PCS
0,71	194-060412-16 PIN ASS'Y 6 PIN HOUSING TO 3 PIN UL1007 #26 & 3 PIN D/S WIRE L=180mm P=2mm (U0003)	PCS
0,72	194-08U435-16 PIN ASS'Y 8 PIN HOUSING TO FLAT CABLE #26 L=150mm P=2mm (U0003)	PCS
0,73	194-080480-19 PIN ASS'Y 8 PIN HOUSING TO UL1007 #26 180/220mm P=2mm	PCS
0,74	198-000002-0X BARE WIRE	LBS
0,75	198-326005-40 JUMPER WIRE #26 50mm BLACK UL1007	PCS
0,76	198-326015-50 JUMPER WIRE #26 150mm BLACK UL1007	PCS
0,77	199-168420-4E FILM FLAT CABLE 16 PIN P=1mm L=4+200+4mm (SONY)(KMW9340-1A)	PCS
0,78	714-856600-A0 HEAT SINK (0.5mm TIN PLATE) (S0051)	PCS
<b>83</b>	<b>PCB-032901-00</b>	<b>PCS</b>
	<b>MAIN PCB MX-329 ASS'Y (2 BAND) FOR IC 206</b>	
0,1	100-032903-00 P.C.B. MAIN PCB MX-329	PCS
0,2	101-004052-61 I.C. HEF4052BP	PCS
0,3	101-0E7338-53 I.C. AN7338K (DAIWA)	PCS
0,4	101-0T2104-04 I.C. TA2104BN (S0005)	PCS
0,5	101-0T9257-04 I.C. TC9257F (S0005)	PCS
0,6	101-0T9260-04 I.C. TC9260P (S0005)	PCS
0,7	102-011020-00 TRANSISTOR 2SA1020	PCS
0,8	102-038550-03 TRANSISTOR 2SC8550C	PCS
0,9	102-039014-03 TRANSISTOR 2SC9014C (S0059)	PCS
0,1	102-039018-07 TRANSISTOR 2SC9018G	PCS
0,11	104-134148-3G DIDOE 1N4148 (D0005)	PCS
0,12	104-230101-30 TUNING DIODE V101	PCS
0,13	104-230149-30 TUNING DIODE V149	PCS
0,14	104-410051-3M ZENER DIODE 5.1V 500mW (EDAL) (BZX79C-5V1)	PCS
0,15	104-410068-3M ZENER DIODE 6.8V 500mW (EDAL) (BZX79C-6V8)	PCS
0,16	111-100450-00 CERAMIC FILTER 450kHz 3 PIN CFSFU450B	PCS
0,17	111-110700-01 CERAMIC FILTER 10.7MHz (RED) LT10.7MA5 (M0004)	PCS

t No.: MX-329		R5-0007 MX-329/5W AKAI(QX-D4300) AM/FM VDE 230V SILVER/CLEAR LENS	
0,18	113-450004-02	CRYSTAL 4.5MHz (A0016)	PCS
0,19	116-736191-03	I.F.T. AM MIX 10mm (YELLOW) NO.:6191	PCS
0,2	116-736192-03	I.F.T. AM OSC 10mm (RED) NO.:6192	PCS
0,21	116-834935-03	I.F.T. FM DET 10mm (PINK) No.:4935	PCS
0,22	117-410204-10	CHOKE COIL 10uH ?mm ?0%	PCS
0,23	117-410305-11	CHOKE COIL 100uH ?mm ?0%	PCS
0,24	117-420405-10	CHOKE COIL 2mH ?mm ?0%	PCS
0,25	118-035E40-08	FM COIL 3T5 ID=4mm WD=0.8mm (H0039)	PCS
0,26	118-035E50-08	FM COIL 3T5 ID=5mm WD=0.8mm (H0039)	PCS
0,27	118-045E45-08	FM COIL 4T5 ID=4.5mm WD=0.8mm "HONG XING" (H0039)	PCS
0,28	119-206520-72	AM COIL 65:20T L=120mm	PCS
0,29	130-110031-00	RESISTOR 10 OHM 1/4W ?%	PCS
0,3	130-110131-00	RESISTOR 100 OHM 1/4W ?%	PCS
0,31	130-110231-00	RESISTOR 1 K OHM 1/4W ?%	PCS
0,32	130-110331-00	RESISTOR 10 K OHM 1/4W ?%	PCS
0,33	130-110431-00	RESISTOR 100 K OHM 1/4W ?%	PCS
0,34	130-110932-00	RESISTOR 1 OHM 1/2W ?%	PCS
0,35	130-112231-00	RESISTOR 1.2 K OHM 1/4W ?%	PCS
0,36	130-112331-00	RESISTOR 12 K OHM 1/4W ?%	PCS
0,37	130-115131-00	RESISTOR 150 OHM 1/4W ?%	PCS
0,38	130-115231-00	RESISTOR 1.5 K OHM 1/4W ?%	PCS
0,39	130-115331-00	RESISTOR 15 K OHM 1/4W ?%	PCS
0,4	130-115431-00	RESISTOR 150 K OHM 1/4W ?%	PCS
0,41	130-118131-00	RESISTOR 180 OHM 1/4W ?%	PCS
0,42	130-118231-00	RESISTOR 1.8 K OHM 1/4W ?%	PCS
0,43	130-118431-00	RESISTOR 180 K OHM 1/4W ?%	PCS
0,44	130-122031-00	RESISTOR 22 OHM 1/4W ?%	PCS
0,45	130-122231-00	RESISTOR 2.2 K OHM 1/4W ?%	PCS
0,46	130-122331-00	RESISTOR 22 K OHM 1/4W ?%	PCS
0,47	130-127331-00	RESISTOR 27 K OHM 1/4W ?%	PCS
0,48	130-133131-00	RESISTOR 330 OHM 1/4W ?%	PCS
0,49	130-133231-00	RESISTOR 3.3 K OHM 1/4W ?%	PCS
0,5	130-133331-00	RESISTOR 33 K OHM 1/4W ?%	PCS
0,51	130-139331-00	RESISTOR 39 K OHM 1/4W ?%	PCS
0,52	130-147031-00	RESISTOR 47 OHM 1/4W ?%	PCS
0,53	130-147131-00	RESISTOR 470 OHM 1/4W ?%	PCS
0,54	130-147231-00	RESISTOR 4.7 K OHM 1/4W ?%	PCS
0,55	130-147331-00	RESISTOR 47 K OHM 1/4W ?%	PCS
0,56	130-156231-00	RESISTOR 5.6 K OHM 1/4W ?%	PCS
0,57	130-168131-00	RESISTOR 680 OHM 1/4W ?%	PCS
0,58	130-168231-00	RESISTOR 6.8 K OHM 1/4W ?%	PCS
0,59	130-168331-00	RESISTOR 68 K OHM 1/4W ?%	PCS
0,6	130-182231-00	RESISTOR 8.2 K OHM 1/4W ?%	PCS
0,61	140-010022-20	CERAMIC CAP 10pF 50V ?0% NPO	PCS
0,62	140-010122-00	CERAMIC CAP 100pF 50V ?0%	PCS
0,63	140-010220-00	CERAMIC CAP 0.001uF 50V	PCS
0,64	140-010310-00	CERAMIC CAP 0.01uF 25V +80-20%	PCS
0,65	140-010410-00	CERAMIC CAP 0.1uF 25V +80-20%	PCS
0,66	140-012022-00	CERAMIC CAP 12p 50V ?0%	PCS

t No.: MX-329		R5-0007 MX-329/5W AKAI(QX-D4300) AM/FM VDE 230V SILVER/CLEAR LENS	
0,67	140-015022-20	CERAMIC CAP 15p 50V ?0% NPO	PCS
0,68	140-015122-00	CERAMIC CAP 150pF 50V ?0%	PCS
0,69	140-018122-00	CERAMIC CAP 180pF 50V ?0%	PCS
0,7	140-020022-20	CERAMIC CAP 20pF 50V ?0% NPO	PCS
0,71	140-020320-00	CERAMIC CAP 0.02uF 50V +80-20%	PCS
0,72	140-020922-20	CERAMIC CAP 2pF 50V ?0% NPO	PCS
0,73	140-025022-00	CERAMIC CAP 25pF 50V ?0%	PCS
0,74	140-033122-00	CERAMIC CAP 330pF 50V ?0%	PCS
0,75	140-047022-00	CERMAIC CAP 47p 50V ?0%	PCS
0,76	140-050220-00	CERAMIC CAP 0.005uF 50V	PCS
0,77	141-010107-30	E. CAP 0.1uF 50V +80-20%	PCS
0,78	141-010207-30	E. CAP 1uF 50V +80-20%	PCS
0,79	141-010303-30	E. CAP 10uF 10V +80-20%	PCS
0,8	141-022207-30	E. CAP 2.2uF 50V +80-20%	PCS
0,81	141-022303-30	E. CAP 22uF 10V +80-20%	PCS
0,82	141-022403-30	E. CAP 220uF 10V +80-20%	PCS
0,83	141-047103-30	E. CAP 0.47uF 10V +80-20%	PCS
0,84	141-047207-30	E. CAP 4.7uF 50V +80-20%	PCS
0,85	141-047303-30	E. CAP 47uF 10V +80-20%	PCS
0,86	141-047403-30	E. CAP 470uF 10V +80-20%	PCS
0,87	142-110310-20	MYLAR CAP 0.01uF 100V ?0%	PCS
0,88	142-110410-20	MYLAR CAP 0.1uF 100V ?0%	PCS
0,89	142-115210-20	MYLAR CAP 0.0015uF 100V ?0%	PCS
0,9	142-115310-20	MYLAR CAP 0.015uF 100V ?0%	PCS
0,91	142-118310-20	MYLAR CAP 0.018uF 100V ?0%	PCS
0,92	142-122310-20	MYLAR CAP 0.022uF 100V ?0%	PCS
0,93	142-168310-20	MYLAR CAP 0.068uF 100V ?0%	PCS
0,94	142-239112-10	POLYSTYRENE FILM CAP 390pF 125V ?%	PCS
0,95	152-001000-13	TRIMMER CAP 10p ?0mm	PCS
0,96	152-002000-13	TRIMMER CAP 20p ?0mm	PCS
0,97	181-070070-00	AM BAR 10 x 70mm	PCS
0,98	193-202020-07	WAFER 2 PIN P=2mm (U.F.A)	PCS
0,99	193-206020-07	WAFER 6 PIN P=2mm (U0003)	PCS
0,1	193-208020-07	WAFER 8 PIN P=2mm (U0003)	PCS
0,101	193-209025-07	WAFER 9 PIN P=2.5mm (U0003)	PCS
0,102	194-110413-26	PIN ASS'Y 11 PIN HOUSING TO 3 PIN D/S WIRE & 8 PIN FLAT CABLE L=180mm P=2.5mm (U0003)	PCS
0,103	198-000002-0X	BARE WIRE	LBS
0,104	198-326130-49	JUMPER WIRE #26 1300mm WHITE UL1007	PCS
0,105	303-000004-01	CABLE TIE 4" CT-100M (T0042)	PCS
0,106	500-031003-00	SCREW 3 x 10 B/T	PCS
0,107	512-020040-00	EYELET 2 x 4mm	PCS
0,108	603-010010-10	SPONGE 10 x 10 x 10	PCS
0,109	867-068001-00	BAR HOLDER (NEW)	PCS
84	PCB-032902-00	KEY PCB MX-329 ASS'Y (IC 206)	PCS
0,1	100-032902-00	P.C.B. KEY BOARD MX-329	PCS
0,2	104-510000-4A	LED ROUND 3mm (RED) 28mm "LT0311G-41-S74" (G0013)	PCS
0,3	130-115231-00	RESISTOR 1.5 K OHM 1/4W ?%	PCS
0,4	130-115331-00	RESISTOR 15 K OHM 1/4W ?%	PCS

<b>t No.: MX-329</b>		<b>R5-0007 MX-329/5W AKAI(QX-D4300) AM/FM VDE 230V SILVER/CLEAR LENS</b>	
0,5	130-120231-00	RESISTOR 2 K OHM 1/4W ?%	PCS
0,6	130-127231-00	RESISTOR 2.7 K OHM 1/4W ?%	PCS
0,7	130-139231-00	RESISTOR 3.9 K OHM 1/4W ?%	PCS
0,8	130-143331-00	RESISTOR 43 K OHM 1/4W ?%	PCS
0,9	130-168231-00	RESISTOR 6.8 K OHM 1/4W ?%	PCS
0,1	175-800005-00	TACT SWITCH (H=5mm) KLT1102-5	PCS
0,11	175-700005-00	TACT SWITCH ANGLE TYPE V=5mm DT4114E (T0001)	PCS
0,12	194-040253-16	PIN ASS'Y 4 PIN HOUSING TO PVC FLAT CABLE #26 100MM P=2mm (U.F.A.)	PCS
0,13	194-020495-19	PIN ASS'Y 2 PIN HOUSING TO UL1007 #26 330mm P=2mm (T0061)	PCS
<b>85</b>	<b>PCB-032903-00</b>	<b>POWER PCB MX-329/5W ASS'Y FOR IC 206</b>	<b>PCS</b>
0,1	100-032904-06	P.C.B. POWER BOARD MX-329 (94V0)	PCS
0,2	100-032906-06	P.C.B. CD DOOR SW MX-329 94V0	PCS
0,3	100-032905-06	P.C.B. JACK BOARD MX-329 94V0	PCS
0,4	101-005417-04	I.C. BA5417	PCS
0,5	102-038050-04	TRANSISTOR 2SC8050D (S0059)	PCS
0,6	102-039014-03	TRANSISTOR 2SC9014C (S0059)	PCS
0,7	102-510772-00	TRANSISTOR 2SB772	PCS
0,8	102-510882-00	TRANSISTOR 2SD882	PCS
0,9	104-134148-3G	DIDOE 1N4148 (D0005)	PCS
0,1	104-315401-3C	DIODE 1N5401 (A0016)	PCS
0,11	104-410062-30	ZENER DIODE 6.2V 500mW	PCS
0,12	104-410091-30	ZENER DIODE 9.1V 500mW	PCS
0,13	104-410100-30	ZENER DIODE 10V 500mW	PCS
0,14	104-410120-30	ZENER DIODE 12V 500mW	PCS
0,15	117-410305-1B	CHOKE COIL 100uH ?mm ?0% (DR2W 4 x 5.5-101K) (T0055)	PCS
0,16	130-110031-00	RESISTOR 10 OHM 1/4W ?%	PCS
0,17	130-110231-00	RESISTOR 1 K OHM 1/4W ?%	PCS
0,18	130-110331-00	RESISTOR 10 K OHM 1/4W ?%	PCS
0,19	130-110932-00	RESISTOR 1 OHM 1/2W ?%	PCS
0,2	130-112331-00	RESISTOR 12 K OHM 1/4W ?%	PCS
0,21	130-115131-00	RESISTOR 150 OHM 1/4W ?%	PCS
0,22	130-122131-00	RESISTOR 220 OHM 1/4W ?%	PCS
0,23	130-122231-00	RESISTOR 2.2 K OHM 1/4W ?%	PCS
0,24	130-122931-00	RESISTOR 2.2 OHM 1/4W ?%	PCS
0,25	130-122932-00	RESISTOR 2.2 OHM 1/2W ?%	PCS
0,26	130-127231-00	RESISTOR 2.7 K OHM 1/4W ?%	PCS
0,27	130-133231-00	RESISTOR 3.3 K OHM 1/4W ?%	PCS
0,28	130-147131-00	RESISTOR 470 OHM 1/4W ?%	PCS
0,29	130-147231-00	RESISTOR 4.7 K OHM 1/4W ?%	PCS
0,3	130-147331-00	RESISTOR 47 K OHM 1/4W ?%	PCS
0,31	130-156231-00	RESISTOR 5.6 K OHM 1/4W ?%	PCS
0,32	130-168132-00	RESISTOR 680 OHM 1/2W ?%	PCS
0,33	130-168331-00	RESISTOR 68 K OHM 1/4W ?%	PCS
0,34	140-010220-00	CERAMIC CAP 0.001uF 50V	PCS

<b>t No.: MX-329</b>		<b>R5-0007 MX-329/5W AKAI(QX-D4300) AM/FM VDE 230V SILVER/CLEAR LENS</b>	
0,35	140-010320-00	CERAMIC CAP 0.01uF 50V +80-20%	PCS
0,36	140-010420-00	CERAMIC CAP 0.1uF 50V +80-20%	PCS
0,37	140-020320-00	CERAMIC CAP 0.02uF 50V +80-20%	PCS
0,38	140-033122-00	CERAMIC CAP 330pF 50V ?0%	PCS
0,39	141-010403-30	E. CAP 100uF 10V +80-20%	PCS
0,4	141-010503-30	E. CAP 1000uF 10V +80-20%	PCS
0,41	141-022404-30	E. CAP 220uF 16V +80-20%	PCS
0,42	141-047207-30	E. CAP 4.7uF 50V +80-20%	PCS
0,43	141-047307-30	E. CAP 47uF 50V +80-20%	PCS
0,44	141-047404-30	E. CAP 470uF 16V +80-20%	PCS
0,45	142-110210-20	MYLAR CAP 0.001uF 100V ?0%	PCS
0,46	142-110410-20	MYLAR CAP 0.1uF 100V ?0%	PCS
0,47	175-222010-00	SLIDE SWITCH 2P2T SK-22F02G10	PCS
0,48	175-700005-00	TACT SWITCH ANGLE TYPE V=5mm DT4114E (T0001)	PCS
0,49	190-614173-05	4P SPEAKER TERMINAL BOARD (PT-417B-03) (R-R/B-B)	PCS
0,5	190-810000-00	EARPHONE JACK 3.5mm W/SWITCH	PCS
0,51	193-202020-07	WAFER 2 PIN P=2mm (U.F.A)	PCS
0,52	193-205020-07	WAFER 5 PIN P=2mm (U0003)	PCS
0,53	193-205025-07	WAFER 5 PIN P=2.5mm (U0003)	PCS
0,54	193-211025-07	WAFER 11 PIN P=2.5mm (U0003)	PCS
0,55	194-020127-26	PIN ASS'Y 2 PIN HOUSING TO UL1007 #26 330mm P=2.5mm (U.F.A)	PCS
0,56	194-050184-26	PIN ASS'Y 5 PIN HOUSING TO UL 1007 #24 250MM P=2.5MM (U0003)	PCS
0,57	198-000002-0X	BARE WIRE	LBS
0,58	204-223150-36	FUSE 5 x 20mm 3.15A 250V VDE/SEMKO/UL APPROVED (SLOW) (M0013)	PCS
0,59	303-000004-01	CABLE TIE 4" CT-100M (T0042)	PCS
0,6	500-030804-00	SCREW 3 x 8 B/A	PCS
0,61	512-020040-00	EYELET 2 x 4mm	PCS
0,62	515-068800-01	FUSE HOLDER (W0028) (WH-007)	PCS
0,63	714-032800-00	HEAT SINK (5W)	PCS
0,64	714-041803-A0	HEAT SINK (TR882)(DOUBLE HOLE) (S0051)	PCS
0,65	714-082201-A0	HEAT SINK (NEW) (S0051)	PCS
0,66	141-010305-30	E. CAP 10uF 25V +80-20%	PCS
0,67	198-322030-48	JUMPER WIRE #22 300mm GREY	PCS
0,68	141-022405-30	E. CAP 220uF 25V +80-20%	PCS
0,69	141-047505-30	E. CAP 4700uF 25V +80-20%	PCS
86	<b>SPL-032905-01</b>	<b>SP-329/5W SPK PART LIST "L" (2 WAYS VER.) SHARP SILVER W/SILVER CLOTH (JY-8A-4)</b>	<b>PCS</b>
0,1	631-032905-01	SP-329/5W SPEAKER BOX ASS'Y L BRIGHT SILVER SPRAY	PCS
..1	141-047207-30	E. CAP 4.7uF 50V +80-20%	PCS
..2	172-0332K0-09	SPEAKER 2" 8 OHM 3-8W MAG=32mm	PCS

Part no.	Description	UM OF 13
<b>t No.: MX-329</b>	<b>R5-0007 MX-329/5W AKAI(QX-D4300) AM/FM VDE 230V SILVER/CLEAR LENS W/SHINNY BLACK CAP (GARDENS) (JQa50W8-N-09)</b>	
..3 172-078196-19	SPEAKER 4" 4?5-8W MAG=60mm W/SHINNY BLACK CAP & MOUNTING (JQb102W4-N-57) HONG JI	PCS
..4 196-003180-12	SPEAKER WIRE 1800mm AWG #22 UL2468 W/O PLUG (RED/BLK) (YING FUNG)	PCS
..5 198-326022-60	JUMPER WIRE #26 220mm BLACK UL1007	PCS
..6 198-326022-62	JUMPER WIRE #26 220mm RED UL1007	PCS
..7 404-032800-B3	SPK WOODEN BOX (DEPT=120mm) (MK-2907N) (G0018)	PCS
..8 500-030807-00	SCREW 3 x 8 W/T	PCS
..9 500-031007-00	SCREW 3 x 10 W/T	PCS
..10 853-032900-01	SPEAKER FRONT CABINET 'L' BRIGHT SILVER SPRAY	PCS
..11 857-032900-01	SPEAKER BKT. (A) 2" BRIGHT SILVER SPRAY	PCS
..12 857-032901-01	SPEAKER BKT. (B) 20mm (BUZZER) W/CHROME	PCS
..13 857-032902-01	SPEAKER BKT. (C) ?mm BRIGHT SILVER SPRAY	PCS
..14 868-000200-00	SPEAKER SCoure 60?RUBBER 9.4 x 7.5mm (K-234) KIN SHING	PCS
..15 877-032900-01	BADGE BRIGHT SILVER (A78-030) SPRAY W/GREY (PMS 432C)	PCS
..16 912-068007-00	BUZZER PLATE ?0 0.3mm THK	PCS
0,2 640-032910-01	SP-329 SPEAKER FRAME ASS'Y W/SILVER COLOR (JY-8A-4)	PCS
..1 609-000000-36	SPEAKER FRAME CLOTH SILVER COLOR (JY-8A-4) 914mm x 1.6m / 65 YARD	YAD
..2 856-032900-01	SPEAKER FRAME MOULD GREY	PCS
<b>87 SPR-032905-01</b>	<b>SP-329/5W SPK PART LIST "L" (2 WAYS VER.) SHARP SILVER W/SILVER CLOTH (JY-8A-4)</b>	<b>PCS</b>
0,1 632-032905-01	SP-329/5W SPEAKER BOX ASS'Y R BRIGHT SILVER SPRAY	PCS
..1 141-047207-30	E. CAP 4.7uF 50V +80-20%	PCS
..2 172-0332K0-09	SPEAKER 2" 8 OHM 3-8W MAG=32mm W/SHINNY BLACK CAP (GARDENS) (JQa50W8-N-09)	PCS
..3 172-078196-19	SPEAKER 4" 4?5-8W MAG=60mm W/SHINNY BLACK CAP & MOUNTING (JQb102W4-N-57) HONG JI	PCS
..4 196-003180-12	SPEAKER WIRE 1800mm AWG #22 UL2468 W/O PLUG (RED/BLK) (YING FUNG)	PCS
..5 198-326022-60	JUMPER WIRE #26 220mm BLACK UL1007	PCS
..6 198-326022-62	JUMPER WIRE #26 220mm RED UL1007	PCS



	Part no.	Description	UM OF 13
	<b>t No.: MX-329</b>	<b>R5-0007 MX-329/5W AKAI(QX-D4300) AM/FM VDE 230V SILVER/CLEAR LENS</b>	
..7	404-032800-B3	SPK WOODEN BOX (DEPT=120mm) (MK-2907N) (G0018)	PCS
..8	500-030807-00	SCREW 3 x 8 W/T	PCS
..9	500-031007-00	SCREW 3 x 10 W/T	PCS
..10	853-032901-01	SPEAKER FRONT CABINET 'R' BRIGHT SILVER SPRAY	PCS
..11	857-032900-01	SPEAKER BKT. (A) 2" BRIGHT SILVER SPRAY	PCS
..12	857-032901-01	SPEAKER BKT. (B) 20mm (BUZZER) W/CHROME	PCS
..13	857-032902-01	SPEAKER BKT. (C) ?mm BRIGHT SILVER SPRAY	PCS
..14	868-000200-00	SPEAKER SCOURE 60?RUBBER 9.4 x 7.5mm (K-234) KIN SHING	PCS
..15	877-032900-01	BADGE BRIGHT SILVER (A78-030) SPRAY W/GREY (PMS 432C)	PCS
..16	912-068007-00	BUZZER PLATE ?0 0.3mm THK	PCS
0,2	640-032910-01	SP-329 SPEAKER FRAME ASS'Y W/SILVER COLOR (JY-8A-4)	PCS
..1	609-000000-36	SPEAKER FRAME CLOTH SILVER COLOR (JY-8A-4) 914mm x 1.6m / 65 YARD	YAD
..2	856-032900-01	SPEAKER FRAME MOULD GREY	PCS